

CS-600 Rig

CRAWLER & TRUCK MOUNTED



Chang Shin International Co., Ltd.

Factory : 32, Cheoyongsaneop 3-Gil, Onsan-eup, Ulsan, Korea

Tel : 82-52-239-3878

Fax : 82-52-237-0358

Email : csi@okcsi.com

www.okcsi.com

Index

- ▶ 1. Introduction
- ▶ 2. Model Classification
- ▶ 3. Specification
- ▶ 4. Drawings

1. Introduction

- ▶ **C**ustomers **S**atisfaction **I**nternationally

Chang Shin International, established in 1993, has been manufacturing drilling equipments like Drilling Rigs, Hammers and Bits. And we are serving the drilling and construction markets to more than 30 countries with our all products.

Especially the most important feature of our drilling rig is powerful and fast performance in deep hole drilling.

Our various model will help your selection, And our high technical skill will help your all requirement at your drilling business.



2. Model Classification



Truck Mounting Type



Crawler Type

**Drilling
Depth**

CS-400DHR

500m

CS-200

CS-400

CS-600DHR

1000m

CS-600

CS-1000DHR

1500m

CS-1000

CS-1500DHR

2000m

CS-1500

CS-2000DHR

CS-2000

3. Specification

- ▶1. CS-600 Drilling Rig
- ▶2. CD-600 DHR Drilling Rig

Drilling Rig Specification

Model : CS-600_STANDARD

DIMENSION & WEIGHT

| | | | |
|------------------|---|-----|-----|
| WIDTH | : | 2 | M |
| HEIGHT-TRANSPORT | : | 2.4 | M |
| LENGTH-TRANSPORT | : | 8 | M |
| HEIGHT-MAST UP | : | 8.5 | M |
| WEIGHT(DRY) | : | 9 | Ton |

ENGINE

| | | |
|-----------|---|-----------------|
| MODEL | : | D6AZ-G1 |
| POWER | : | 200KW / 1800rpm |
| FUEL TANK | : | 200 Litter |
| COOLING | : | Water Cooling |

ROTARY HEAD

| | | |
|--------|---|----------------------|
| TORQUE | : | 500 / 250 kgf*m |
| RPM | : | 0 ~ 60 / 0 ~ 120 rpm |

FEED SYSTEM

| | | |
|-------------------------|---|-----------------|
| HEAD TRAVLE | : | 7 m |
| PULL UP CAPACITY | : | 24,869 kgf |
| PULL DOWN CAPACITY | : | 13,816 kgf |
| HOLD BACK CAPACITY | : | 15,826 kgf |
| MAX. FEED SPEED UP/DOWN | : | 22.5/40.5 m/min |

HYDRAULIC SYSTEM

| | | |
|------------|---|---------------------------------|
| PUMP | : | Main 140cc * 2 + 1 service pump |
| TANK | : | 250 Litter |
| OIL FILTER | : | 10 μ m |
| COOLING | : | Air Cooling |

OUTRIGGER(LEVELING JACK)

| | | |
|------------------|---|-----------------|
| CAPACITY | : | 13,360 kgf/each |
| GROUNG CLEARANCE | : | 1,400 mm |

| | | | |
|-------------|---|---|---|
| <i>WITH</i> | : | 3 | M |
|-------------|---|---|---|

DRILL PIPE & CASING

| | | | |
|----------------------------------|---|-----|-------|
| <i>DRILL PIPE LENGTH</i> | : | 6 | M |
| <i>DRILL PIPE DIAMETER</i> | : | 114 | mm |
| <i>MAX. CASING DIAMETER</i> | : | 16 | inch |
| <i>DRILL ROD BREAKOUT TORQUE</i> | : | 6 | Ton*m |

STANDARD EQUIPMENT

| | | | |
|--------------------------|---|---------------------|------------------|
| <i>WINCH</i> | : | 2,000 | kgf (40M × 12mm) |
| <i>DRILL ROD SPANNER</i> | : | For 114mm drill rod | |

CRAWLER BASE

| | | | |
|-------------------------|---|-------|------|
| <i>SPEED</i> | : | 2.5 | km/h |
| <i>GROUND CLEARANCE</i> | : | 363 | mm |
| <i>TRACK SHOE WIDTH</i> | : | 450 | mm |
| <i>TUMBLER DISTANCE</i> | : | 2,200 | mm |

OPTIONAL EQUIPMENT

| | | | |
|---------------------------------|---|-----------|--------------------------|
| <i>MUD MUMPS</i> | : | | |
| <i>ELECTRIC WELDING MACHINE</i> | : | 250A / DC | |
| <i>AIR COMPRESSOR</i> | : | | |
| <i>ROTARY HEAD CHANGE</i> | : | | |
| <i>BASE TYPE CHANGE</i> | : | SKID TYPE | <input type="checkbox"/> |

*** Optional equipment need some discussion.**

Drilling Rig Specification

Model : CS-600DHR_STANDARD

2013.01.07

DIMENSION & WEIGHT

| | | | |
|------------------|---|---------------------------|-----|
| CARRIER | : | HYUNDAI 9.5TON TRUCK(6×2) | |
| WIDTH | : | 2.5 | M |
| HEIGHT-TRANSPORT | : | 3.47 | M |
| LENGTH-TRANSPORT | : | 9 | M |
| HEIGHT-MAST UP | : | 8.5 | M |
| WEIGHT(DRY) | : | 14.5 | Ton |

ENGINE

| | | | |
|-----------|---|-----------------|--------|
| MODEL | : | D6AZ-G1 | |
| POWER | : | 200KW / 1800rpm | |
| FUEL TANK | : | 200 | Litter |
| COOLING | : | Water Cooling | |

ROTARY HEAD

| | | | |
|--------|---|------------------|-----|
| TORQUE | : | 500 / 250 kgf*m | |
| RPM | : | 0 ~ 60 / 0 ~ 120 | rpm |

FEED SYSTEM

| | | | |
|-------------------------|---|---------|-------|
| HEAD TRAVLE | : | 7.5 | m |
| PULL UP CAPACITY | : | 24,869 | kgf |
| PULL DOWN CAPACITY | : | 13,816 | kgf |
| HOLD BACK CAPACITY | : | 15,826 | kgf |
| MAX. FEED SPEED UP/DOWN | : | 20 / 43 | m/min |

HYDRAULIC SYSTEM

| | | | |
|------------|---|--------------------------------------|--------|
| PUMP | : | Main 140cc * 2 + 2 service pump | |
| | : | Operting Pressure 220bar(Max.350Bar) | |
| TANK | : | 250 | Litter |
| OIL FILTER | : | 10 | μm |
| COOLING | : | Air Cooling / Seperated Radiator | |

OUTRIGGER(LEVELING JACK)

| | | | |
|-------------------------|---|---------------|-----------------|
| <i>CAPACITY</i> | : | <i>19,634</i> | <i>kgf/each</i> |
| <i>GROUNG CLEARANCE</i> | : | <i>1,400</i> | <i>mm</i> |
| <i>WITH</i> | : | <i>3</i> | <i>M</i> |

DRILL PIPE & CASING

| | | | |
|----------------------------------|---|-----------------|--------------|
| <i>DRILL PIPE LENGTH</i> | : | <i>6</i> | <i>M</i> |
| <i>DRILL PIPE DIAMETER</i> | : | <i>Max. 168</i> | <i>mm</i> |
| <i>MAX. CASING DIAMETER</i> | : | <i>17 1/2</i> | <i>inch</i> |
| <i>DRILL ROD BREAKOUT TORQUE</i> | : | <i>4</i> | <i>Ton*m</i> |

STANDARD EQUIPMENT

| | | | |
|--------------------------|---|---------------------------------------|-------------------------|
| <i>WINCH</i> | : | <i>1,500</i> | <i>kgf (40M × 10mm)</i> |
| <i>DRILL ROD SPANNER</i> | : | <i>For 140 & 168 mm drill rod</i> | |

Truck

| | | | |
|---------------|---|----------------------------------|------------|
| <i>Model</i> | : | <i>HYUNDAI 9.5TON TRUCK(6×2)</i> | |
| <i>Power</i> | : | <i>350Ps</i> | |
| <i>Length</i> | : | <i>11,620</i> | <i>mm</i> |
| <i>Weight</i> | : | <i>9,825</i> | <i>kgf</i> |

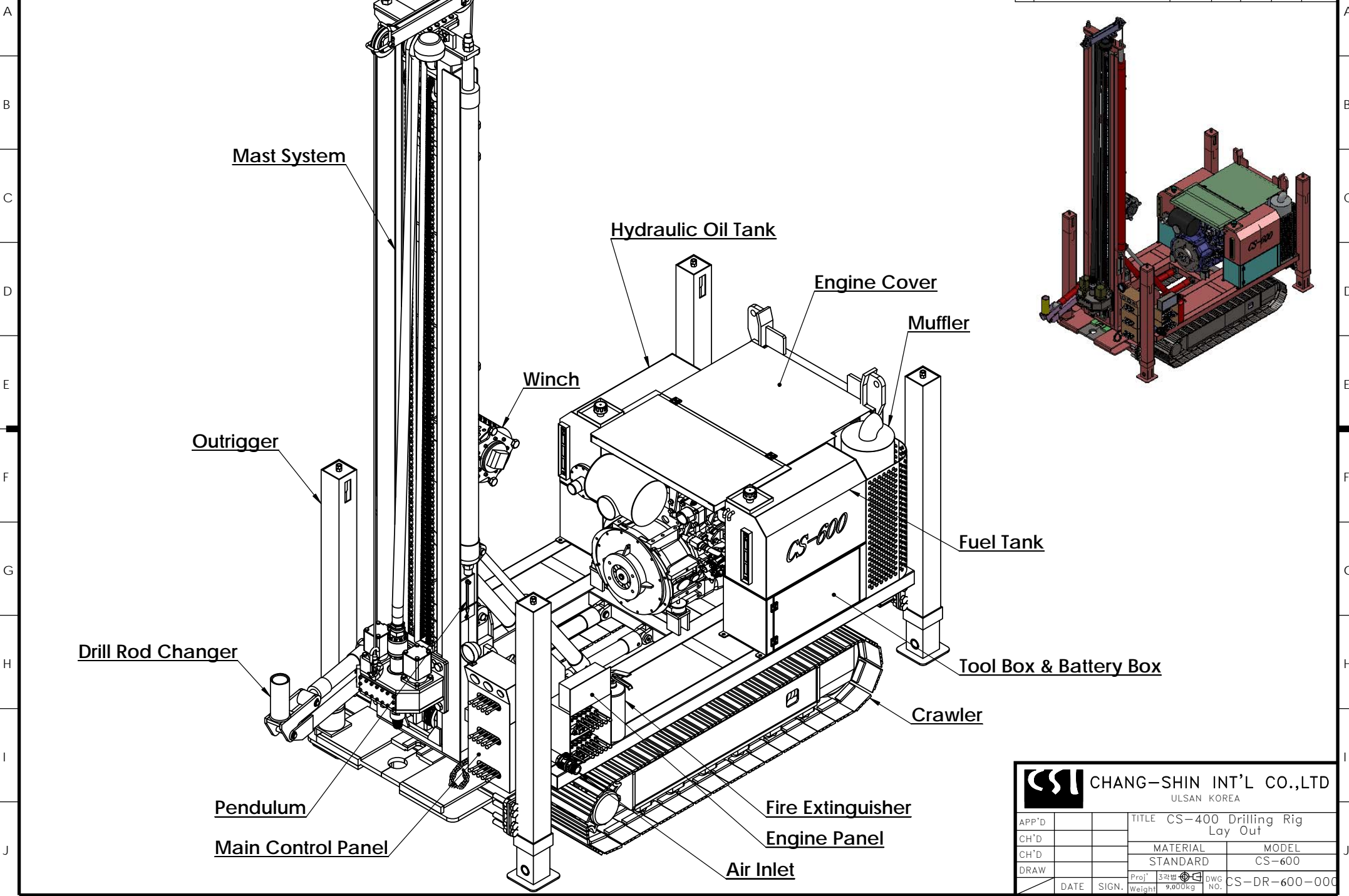
OPTIONAL EQUIPMENT

| | | | |
|-------------------------------------|---|---|--|
| <i>MUD MUMPS</i> | : | <i>200Litter/Min</i> | |
| <i>ELECTRIC WELDING MACHINE</i> | : | <i>250A / DC</i> | |
| <i>Drill Pipe Rack With Handler</i> | : | <i>Capacity : 30Pcs</i> | |
| <i>ROTARY HEAD CHANGE</i> | : | <i>-</i> | |
| <i>BASE TYPE CHANGE</i> | : | <i>SKID TYPE <input type="checkbox"/></i> | |

*** Optional equipment need some discussion.**

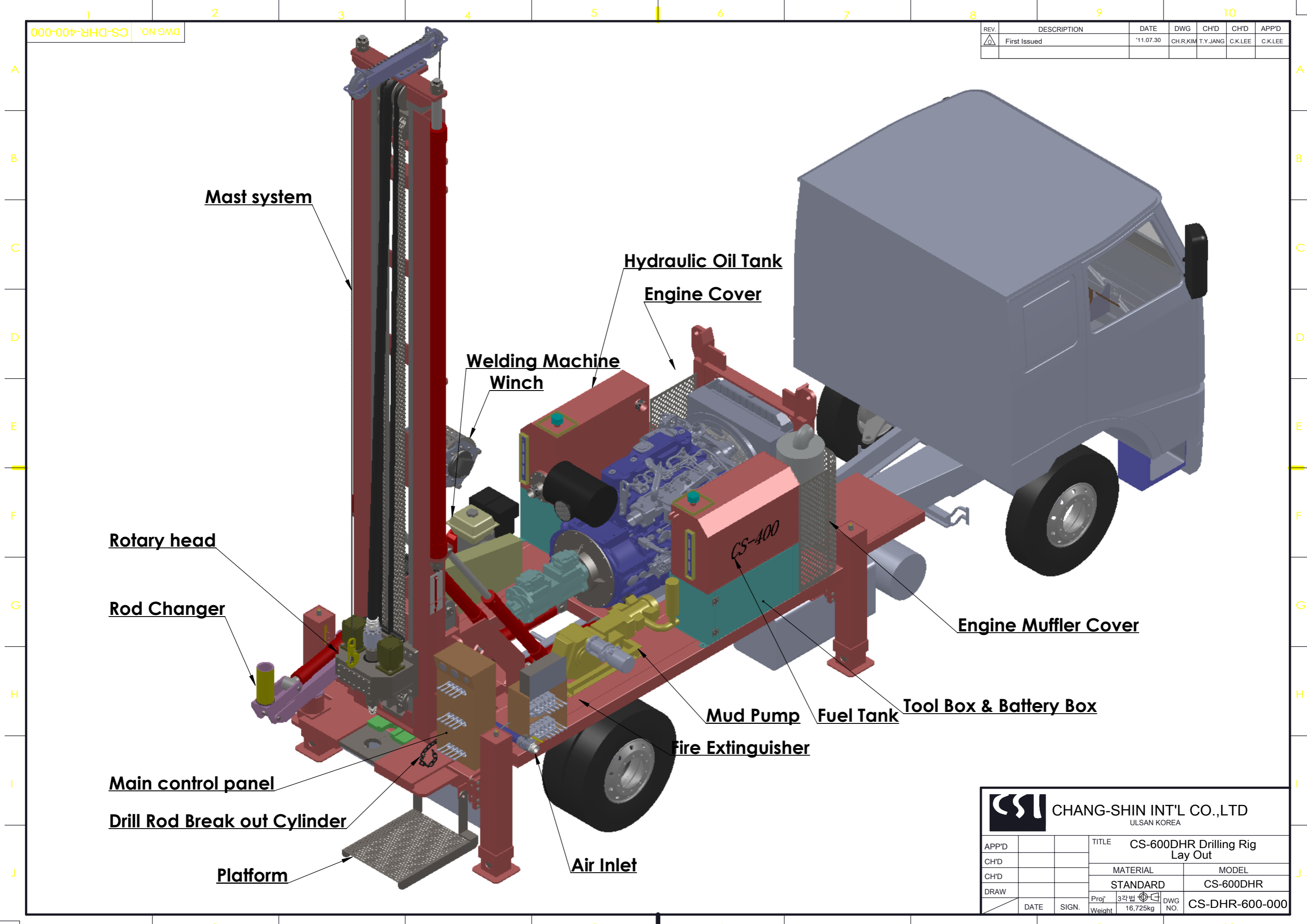
4. Drawings

| REV. | DESCRIPTION | DATE | DWG | CH'D | CH'D | APP'D |
|------|--------------|-----------|-----|-------------------|---------|---------|
| △ | First Issued | '11.07.30 | | CH,R,KIM,T.Y.JANG | C,K.LEE | C,K.LEE |



| | | | | | |
|-------|-------|--|----------------|--------------|---------------|
| | | CHANG-SHIN INT'L CO.,LTD ULSAN KOREA | | | |
| | | TITLE CS-400 Drilling Rig Lay Out | | MODEL CS-600 | |
| APP'D | | MATERIAL | | STANDARD | |
| CH'D | | STANDARD | | CS-600 | |
| DRAW | | Proj. 3차분 | Weight 9,000kg | DWG NO. | CS-DR-600-000 |
| DATE | SIGN. | | | | |

| REV. | DESCRIPTION | DATE | DWG | CH'D | CH'D | APP'D |
|------|--------------|-----------|----------|----------|---------|---------|
| △ | First Issued | '11.07.30 | CH.R.KIM | T.Y.JANG | C.K.LEE | C.K.LEE |



Mast system

Hydraulic Oil Tank

Engine Cover

Welding Machine

Winch

Rotary head

Rod Changer

Engine Muffer Cover

Main control panel

Drill Rod Break out Cylinder

Platform

Air Inlet

Mud Pump

Fuel Tank

Tool Box & Battery Box

Fire Extinguisher

| | | | | | |
|-------|-------|--|----------|-----------|----------------|
| | | CHANG-SHIN INT'L CO.,LTD ULSAN KOREA | | | |
| | | TITLE CS-600DHR Drilling Rig Lay Out | | | |
| APP'D | | MATERIAL | | MODEL | |
| CH'D | | STANDARD | | CS-600DHR | |
| CH'D | | Proj | 3각법 | DWG | |
| DRAW | | Weight | 16,725kg | NO. | CS-DHR-600-000 |
| DATE | SIGN. | | | | |

