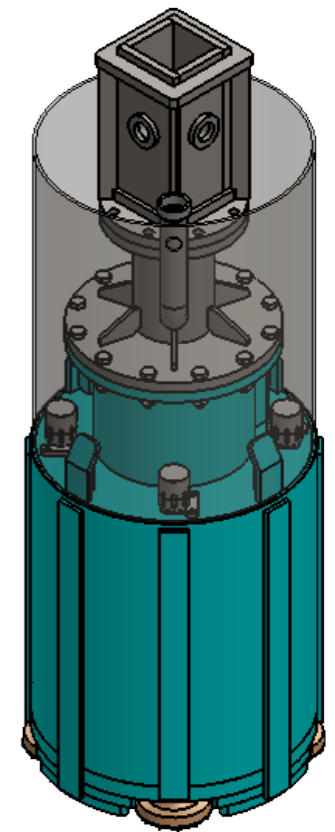
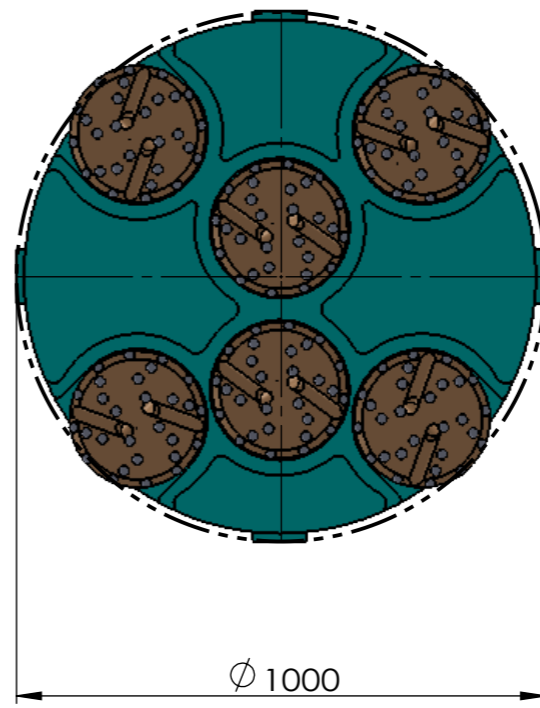
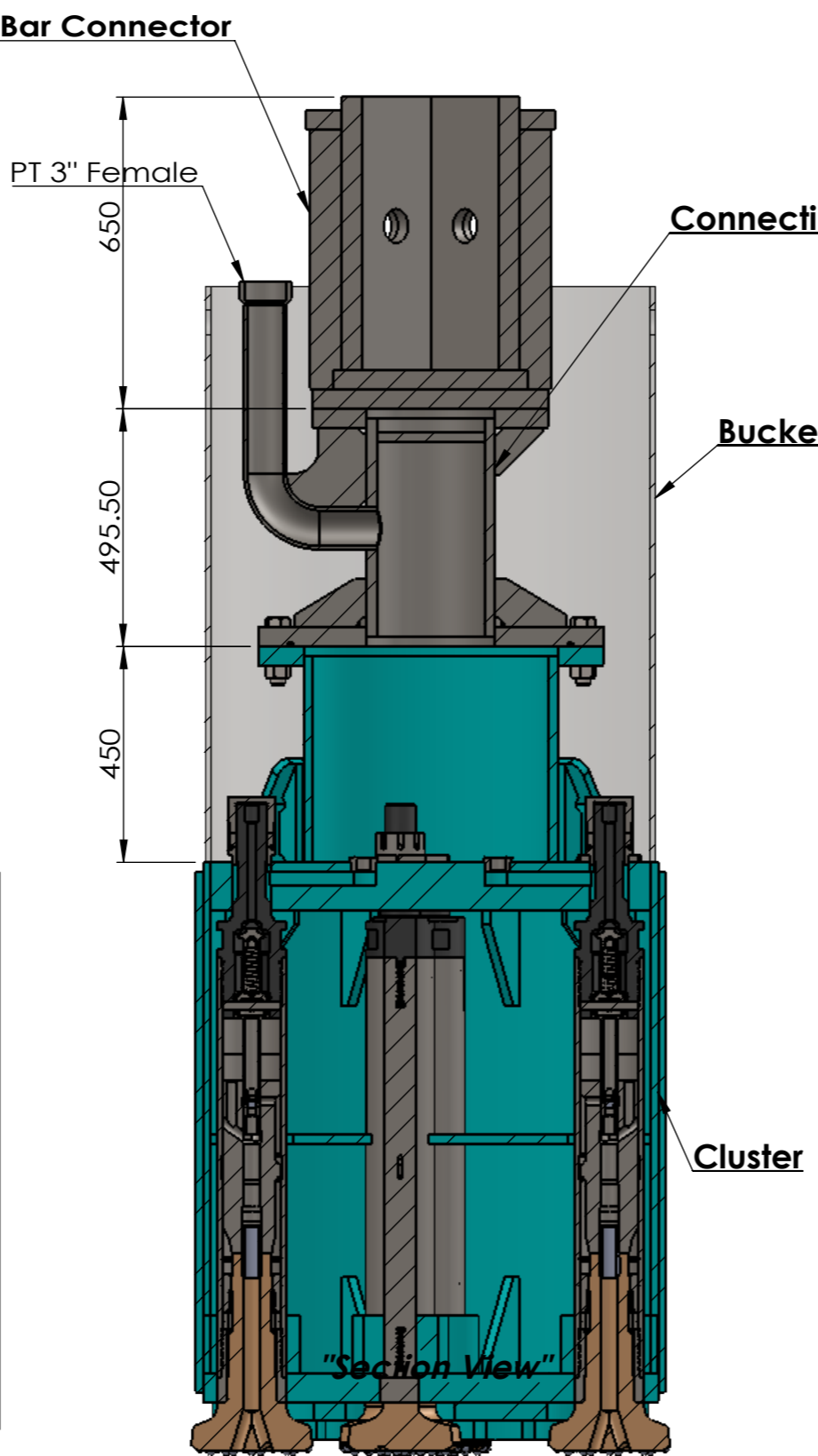
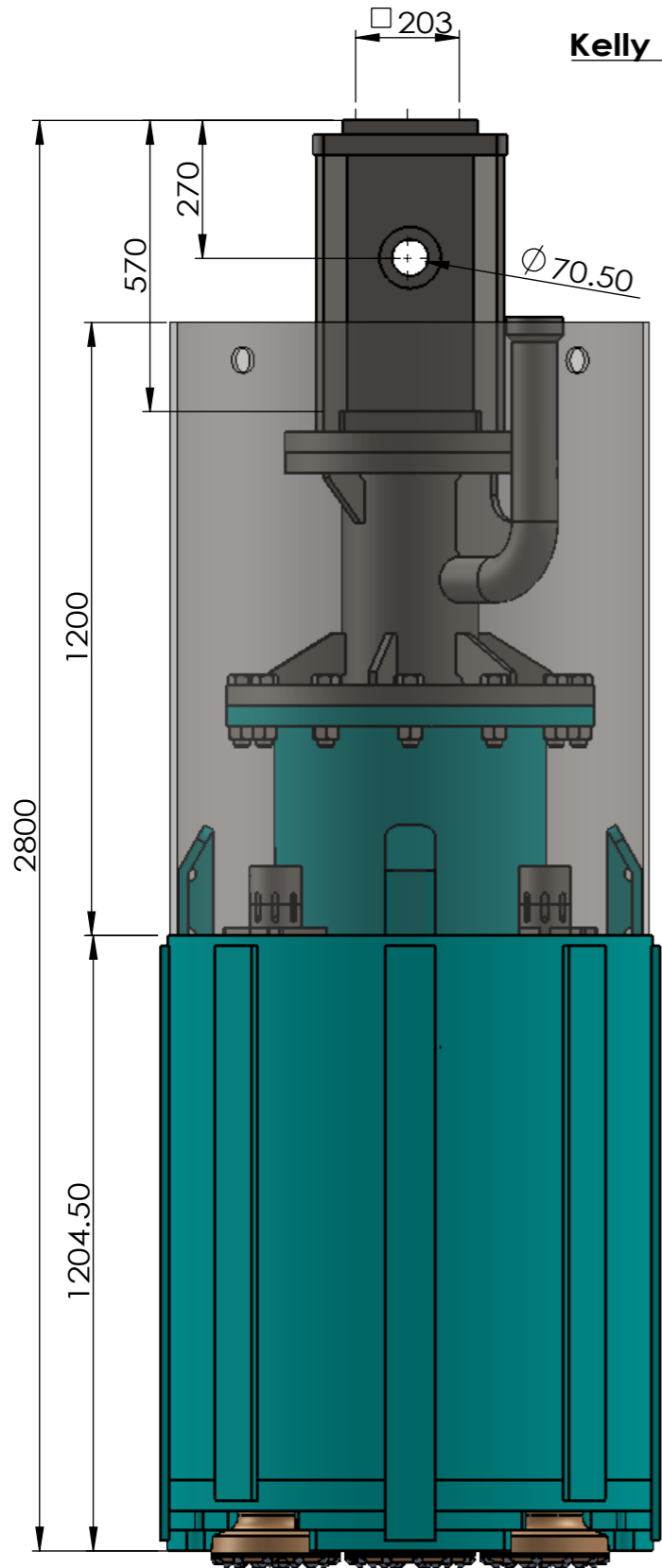


REV.	DESCRIPTION	DATE	DWG	CH'D	CH'D	APP'D
△	First Issued	'18.05.08	J.Y.CHO	CH.R.KIM	-	C.G.LEE



축척 1 : 14

		CHANG-SHIN INT'L CO.,LTD	
		ULSAN KOREA	
APP'D		TITLE	
CH'D		Cluster Hammer Assy	
CH'D		MATERIAL	MODEL
DRAW		-	CD1000/Bucket
DATE	SIGN.	Proj. 3각법	DWG NO. CS-CD-100-000
		Weight 3500 kg	